

Features

- Frameless design emphasizes glass and creates a sleek, minimalist look.
- Full-length magnetic seal keeps door firmly closed, providing excellent water containment.
- Continuous 7/8" (22 mm) high aluminum bottom threshold.
- Back-to-back 11-3/16" (284 mm) vertical shower door pulls.
- Coordinates with other products in the Components collection.
- CleanCoat®+ glass coating creates a hydrophobic barrier that repels water, soap scum, and residue, saving time and protecting shower doors 10 times longer than original CleanCoat. (Based on 2021 internal wear/abrasion testing using a microfiber cloth.)

Material

- Frameless, 3/8" (10 mm) thick Crystal Clear tempered glass.
- Anodized aluminum prevents rust and corrosion.

Installation

- Fits opening widths 27-5/8"–28-3/8" (702–721 mm).
- 3/4" (19 mm) width adjustment.
- Out-of-plumb adjustability simplifies installation.
- Door can be installed to open to the left or right to suit your bathroom layout.
- For residential use only.
- Not for use in hospitality.

Included Components

Additional Components:

Hardware kit



Codes/Standards

ANSI Z97.1

CPSC 16CFR 1201

KOHLER® One-Year Limited Warranty

See website for detailed warranty information.

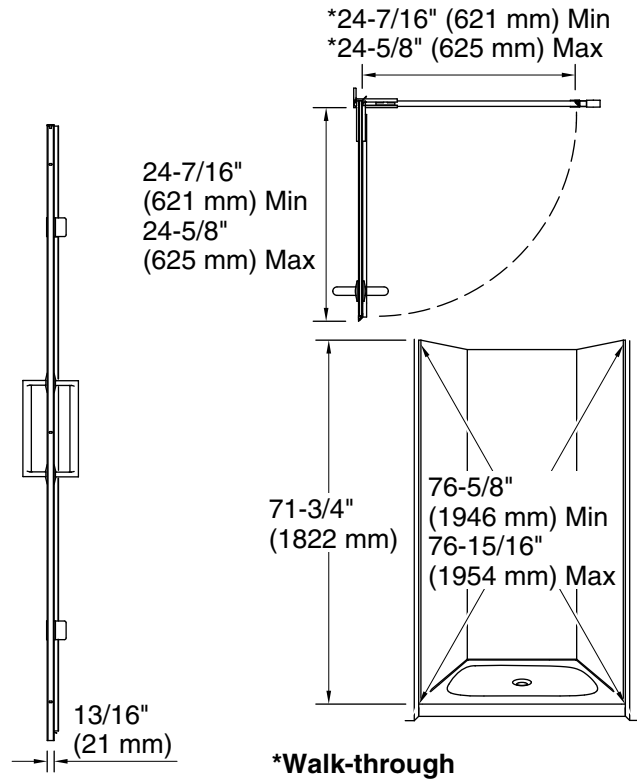
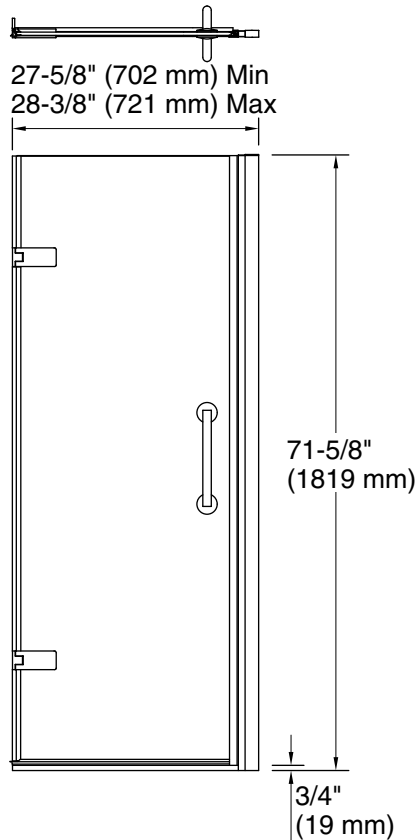
Available Colors/Finishes

Color tiles intended for reference only.

Color	Code	Description
	SHP	Bright Polished Silver
	BL	Matte Black
	BNK	Anodized Brushed Nickel

Available Glass Options

Code	Description
L	Crystal Clear



Technical Information

All product dimensions are nominal.

Installation type:	For shower base installation
Opening Width - Min:	27-5/8" (702 mm)
Opening Width - Max:	28-3/8" (721 mm)
Walk-through - Min:	24-3/8" (619 mm)
Walk-through - Max:	24-5/8" (625 mm)
Base-To-Wall Radius - Max:	1/4" (6 mm)
Glass thickness:	3/8" (10 mm)
Glass coating:	CleanCoat®

Notes

Install this product according to the installation instructions.

The vertical opening should be a minimum of 73-1/2" (1867 mm) to allow for installation clearance.